

# PurgeGuard™

## Wiring Instructions

Literature File No. 1109-01

### Redi Controls

### Model...

## PRG-113-C2 & C3

### Purge Unit



**WARNING:** Before proceeding with the following wiring modifications be sure to open and lock-out all electrical disconnects to prevent possible injury or death caused by electrical shock.

☞ See *Wiring Schematic on Back of this Page* •

- 1) **Remove and discard** the wire that runs from **RLY2** output terminal on the P.C. Board and **TB1-2**.
- 2) Disconnect **L4** Solenoid wire from **RLY4** output terminal (marked by **X** on the wiring diagram). Relocate **L4** wire to **TB1-2**.
- 3) Connect **Blue** wire from the **PURGE GUARD™** to **RLY2** output terminal.
- 4) Connect **Yellow** wire from the **PURGE GUARD™** to **TB1-2**.
- 5) Connect **White** wire from the **PURGE GUARD™** to terminal either **TB1-4** or **TB1-5** (for PRG-113-C2) **TB1-5** or **TB1-6** (for PRG 113-C3).
- 6) Connect **Black** wire from the **PURGE GUARD™** to terminal **TB1-1**.
- 7) Connect **Green** ground wire from the **PURGE GUARD™** to the control panel ground lug.

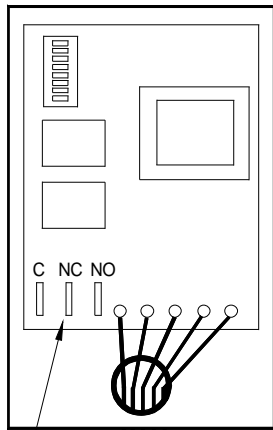
**Wiring of PURGE GUARD™ is now complete.** Please refer to Control **Set-up** and **Operation** instructions in the **Installation and Operation Manual**.

Revised Technically as of November 1, 2001

This Copy was printed as of September 25, 2006

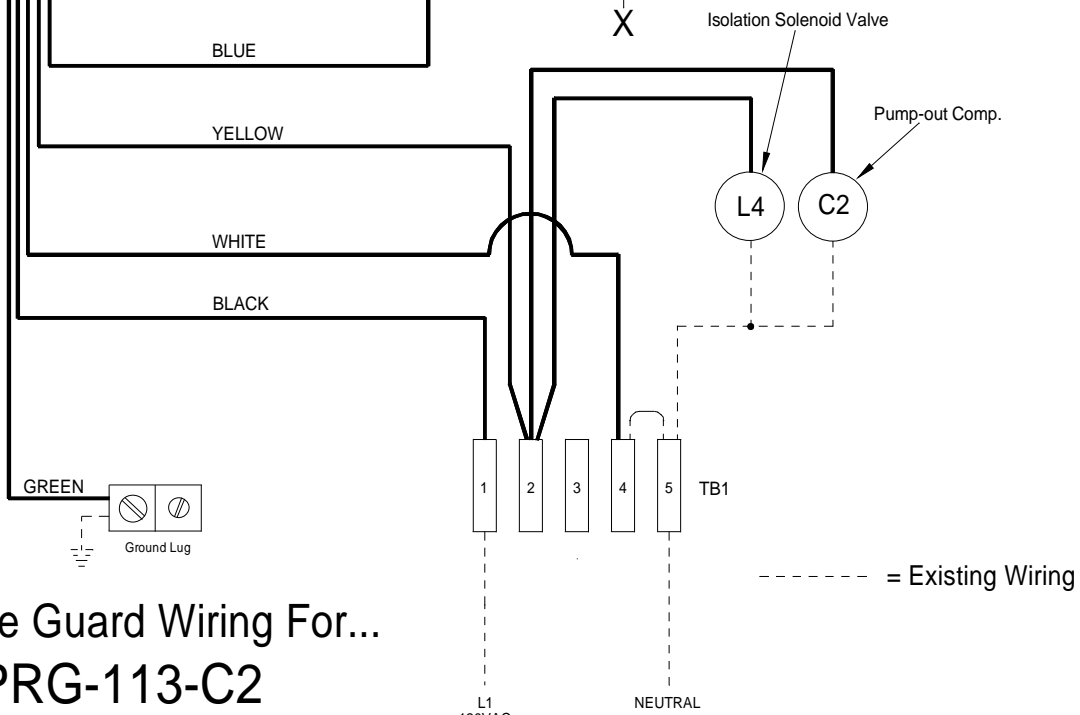
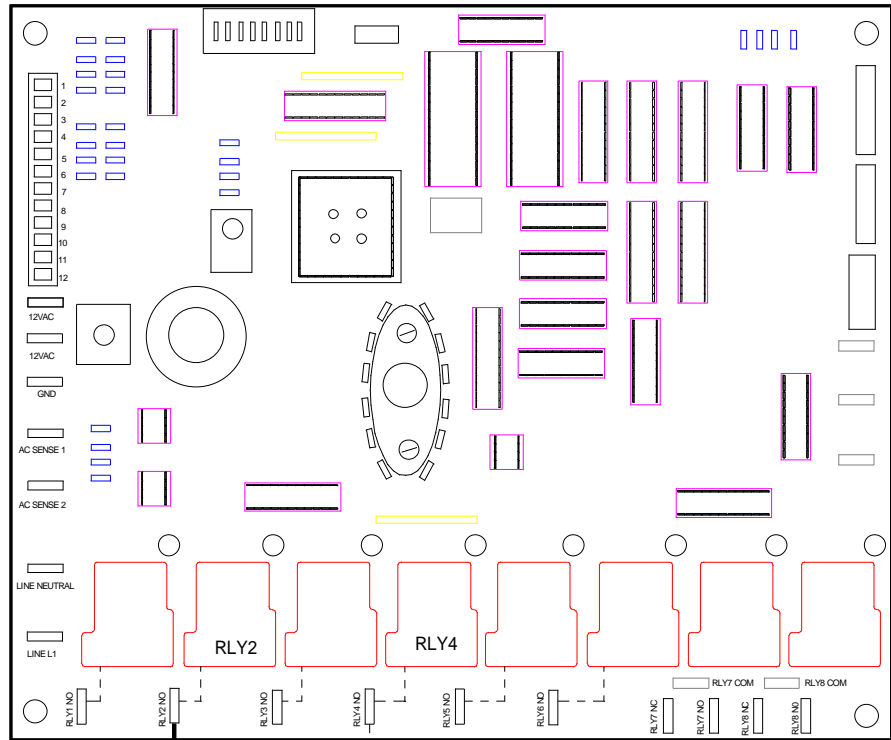
© 2001 REDI CONTROLS, INC., GREENWOOD, INDIANA

## Purge Guard



Remote Alarm Contacts

## P.C. Board



## Purge Guard Wiring For... PRG-113-C2

NOTE: Only the wiring pertaining to the installation on the Purge Guard is shown.